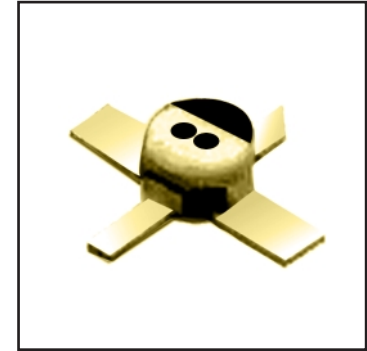


FEATURES

- Medium Power Output: $P_{1dB} = 16.0\text{dBm}$ (Typ.)@12.0GHz
- High Power Gain: $G_{1dB} = 8.0\text{dB}$ (Typ.)@12.0GHz
- Proven Reliability
- Cost Effective Hermetic Microstrip Package
- Tape and Reel Available



DESCRIPTION

The FSX017LG is a general purpose GaAs FET designed for medium power applications up to 12GHz. These devices have a wide dynamic range and are suitable for use in medium power, wide band, linear drive amplifiers.

Fujitsu's stringent Quality Assurance Program assures the highest reliability and consistent performance.

ABSOLUTE MAXIMUM RATING (Ambient Temperature $T_a=25^\circ\text{C}$)

Item	Symbol	Condition	Rating	Unit
Drain-Source Voltage	V_{DS}		8	V
Gate-Source Voltage	V_{GS}		-5	V
Total Power Dissipation	P_{tot}	Note	220	mW
Storage Temperature	T_{stg}		-65 to +175	$^\circ\text{C}$
Channel Temperature	T_{ch}		175	$^\circ\text{C}$

Note: Mounted on Al_2O_3 board (30 x 30 x 0.65mm)

For reliable operation of this FET:

1. The drain - source operating voltage (V_{DS}) should not exceed 4 volts.
2. The forward and reverse gate currents should not exceed 0.7 and -0.1 mA respectively with gate resistance of 2000 Ω .
3. The operating channel temperature (T_{ch}) should not exceed 145 $^\circ\text{C}$.

ELECTRICAL CHARACTERISTICS (Ambient Temperature $T_a=25^\circ\text{C}$)

Item	Symbol	Test Conditions	Limit			Unit
			Min.	Typ.	Max.	
Saturated Drain Current	I_{DSS}	$V_{DS} = 3\text{V}, V_{GS} = 0\text{V}$	35	55	75	mA
Transconductance	g_m	$V_{DS} = 3\text{V}, I_{DS} = 27\text{mA}$	-	50	-	mS
Pinch-off Voltage	V_p	$V_{DS} = 3\text{V}, I_{DS} = 2.7\text{mA}$	-0.7	-1.2	-1.7	V
Gate Source Breakdown Voltage	V_{GSO}	$I_{GS} = -2.7\mu\text{A}$	-5	-	-	V
Output Power at 1dB G.C.P.	P_{1dB}	$V_{DS} = 4\text{V}$ $I_{DS} = 30\text{mA}$ $f = 12\text{GHz}$	15.0	16.0	-	dBm
Power Gain at 1dB G.C.P.	G_{1dB}		7.0	8.0	-	dB
Thermal Resistance	R_{th}	Channel to Case	-	300	400	$^\circ\text{C}/\text{W}$

CASE STYLE: LG

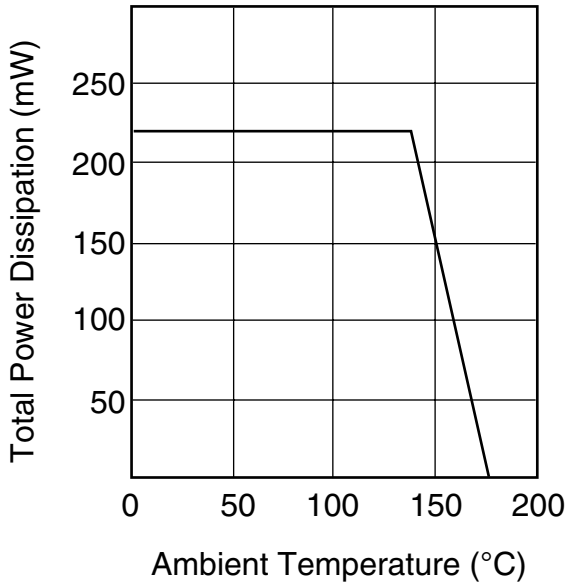
G.C.P.: Gain Compression Point

Note: The RF parameters are measured on a lot basis by sample testing at an AQL = 0.1%, Level-II inspection. Any lot failure shall be 100% retested.

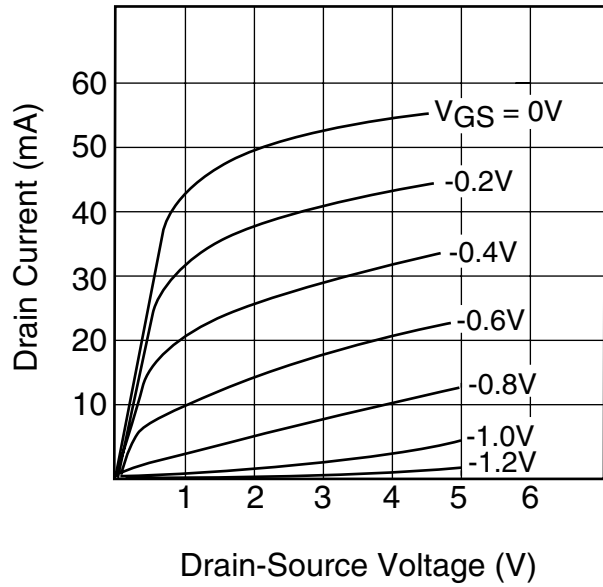
FSX017LG

General Purpose GaAs FET

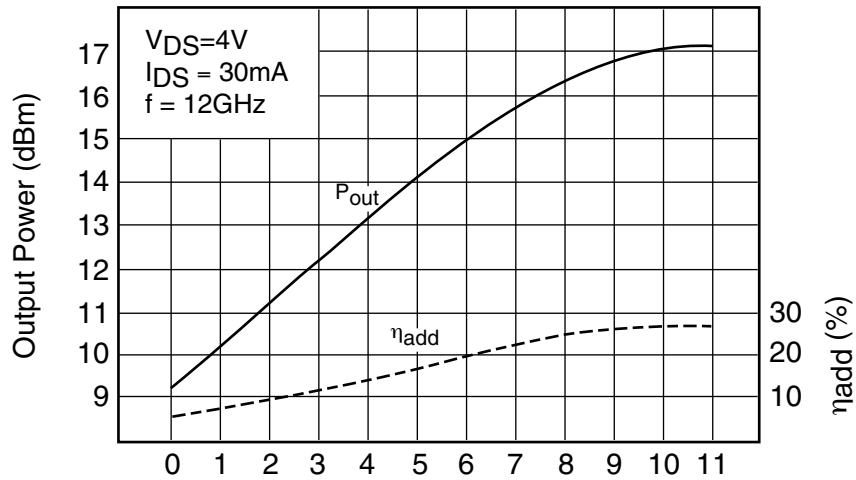
POWER DERATING CURVE



DRAIN CURRENT vs. DRAIN-SOURCE VOLTAGE

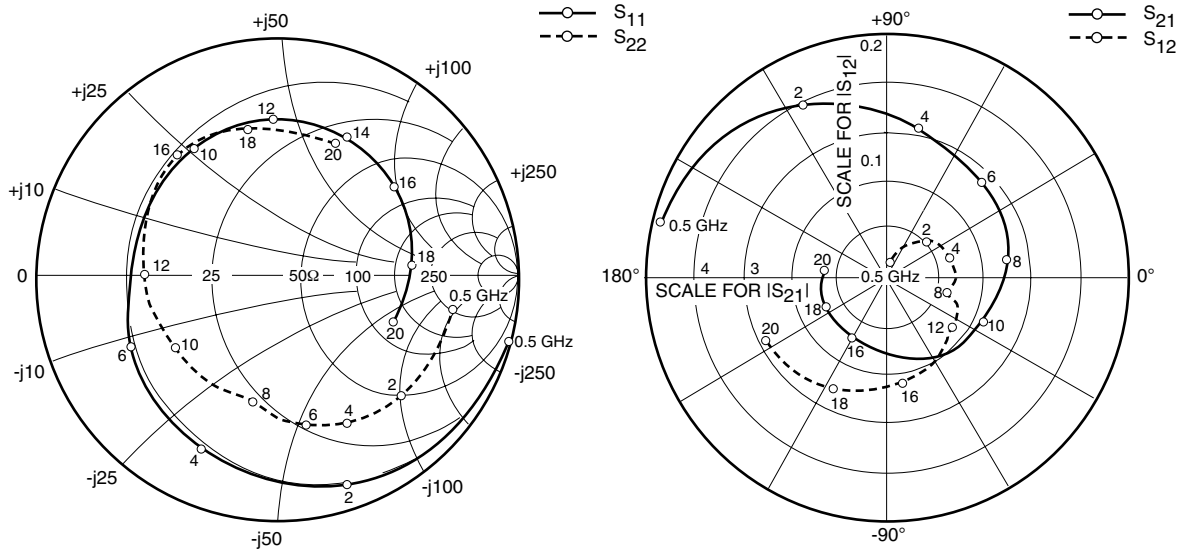


OUTPUT POWER vs. INPUT POWER



FSX017LG

General Purpose GaAs FET



S-PARAMETERS

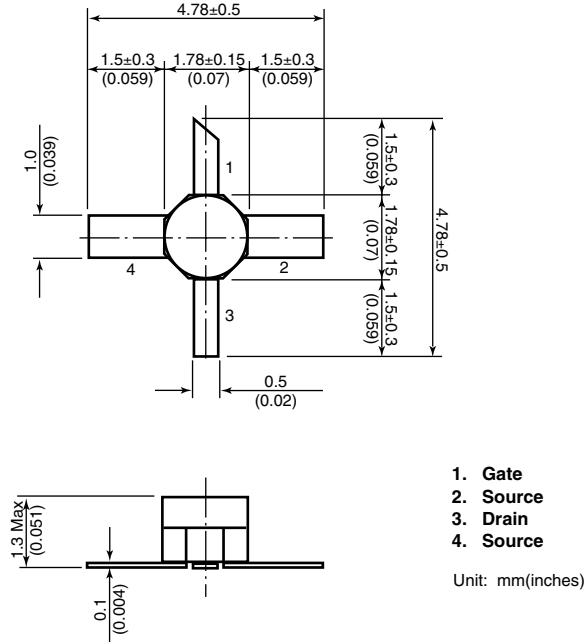
$V_{DS} = 4V, I_{DS} = 30mA$

FREQUENCY (MHZ)	S11		S21		S12		S22	
	MAG	ANG	MAG	ANG	MAG	ANG	MAG	ANG
500	.992	-15.5	4.814	165.8	.012	78.8	.735	-9.5
2000	.915	-58.9	4.244	127.5	.039	51.8	.709	-35.8
4000	.795	-104.8	3.300	86.9	.053	24.1	.670	-60.0
6000	.690	-144.0	2.839	54.1	.054	6.4	.632	-74.7
8000	.606	167.3	2.542	18.1	.052	-13.4	.533	-95.2
10000	.628	130.0	2.237	-16.3	.052	-16.5	.484	-133.0
12000	.655	98.8	1.924	-51.0	.067	-33.2	.544	-173.9
14000	.658	70.8	1.633	-82.5	.075	-51.9	.594	158.0
16000	.630	44.8	1.466	-113.5	.085	-75.4	.650	134.1
18000	.570	14.0	1.394	-147.7	.096	-107.7	.648	109.1
20000	.513	-18.3	1.296	172.6	.112	-151.6	.619	68.1

FSX017LG

General Purpose GaAs FET

Case Style "LG" Metal-Ceramic Hermetic Package



For further information please contact:

FUJITSU COMPOUND SEMICONDUCTOR, INC.

2355 Zanker Rd.
San Jose, CA 95131-1138, U.S.A.
Phone: (408) 232-9500
FAX: (408) 428-9111
www.fcsi.fujitsu.com

FUJITSU MICROELECTRONICS, LTD.

Compound Semiconductor Division
Network House
Norreys Drive
Maidenhead, Berkshire SL6 4FJ
Phone: +44 (0)1628 504800
FAX: +44 (0)1628 504888

CAUTION

Fujitsu Compound Semiconductor Products contain **gallium arsenide (GaAs)** which can be hazardous to the human body and the environment. For safety, observe the following procedures:

- Do not put these products into the mouth.
- Do not alter the form of this product into a gas, powder, or liquid through burning, crushing, or chemical processing as these by-products are dangerous to the human body if inhaled, ingested, or swallowed.
- Observe government laws and company regulations when discarding this product. This product must be discarded in accordance with methods specified by applicable hazardous waste procedures.

Fujitsu Limited reserves the right to change products and specifications without notice. The information does not convey any license under rights of Fujitsu Limited or others.

© 1998 FUJITSU COMPOUND SEMICONDUCTOR, INC.

Printed in U.S.A. FCSI0598M200

FUJITSU